

F R E E S T A N D I N G S T O V E S

RIO **DX** CAST STOVE



Del'Ray
QUALITY GAS PRODUCTS

The Art of the Places

DelRay

RIO DX CAST STOVE

The Art Of Fire Places

Check Out These Features:

- 28,000 BTU/H Input on Natural Gas
- 28,000 BTU/H Input on Propane
- Double burner system featuring warm, dancing flames and glowing embers for the feel of a relaxing, mature fire
- 6 piece ceramic fibre logset
- Approved as an energy-efficient Vented Gas Fireplace Heater
- Equipped with Hi/Lo Control to adjust flame and heat level from 28,000 - 22,000 BTU/H
- Ceramic glass windows on three sides provide a full view of the spectacular fire
- Outer door may be left open while the stove is in operation
- Millivolt control allows continuous operation, even during a power failure
- 100% fail-safe shut-off valve
- Piezo spark ignition



Side view shown with Ceramic Porcelain Green finish

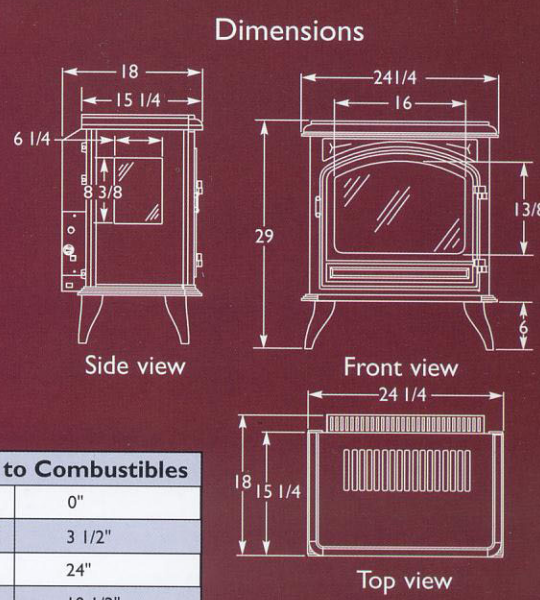
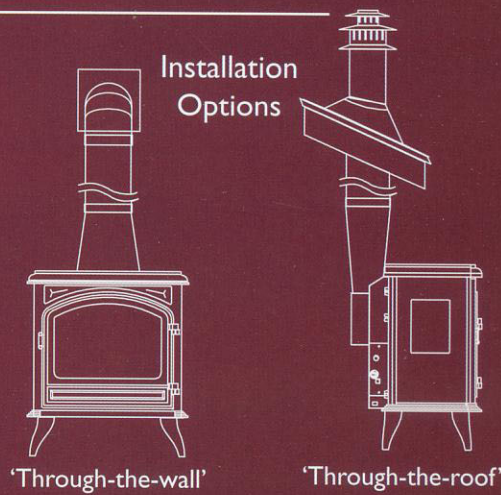
Installation Versatility!

The Rio DX Cast Stove uses standard series direct vent pipe, and must be connected to one of the following kits:

- Direct vent kit for top vent 'through-the-roof' installations. (FSTK04)
- Direct vent kit for top vent 'through-the-wall' installations. (FSTK05)
- Optional upgrade to a Mobile/Manufactured Home OEM-approved version. (on/off control only)

Design Options:

- Six beautiful designer finishes to choose from: Ceramic Porcelain Black, Red, Ivory, Blue, Green or Brown
- Two attractive painted finishes to choose from: Painted Charcoal Grey or Painted Black
- Variable-speed blower kit for increased heat circulation into the living space
- Wireless remote control (on/off control only)



Clearance to Combustibles	
Floor	0"
Back	3 1/2"
Control Side	24"
Right Side	10 1/2"
Top	42"

Consult owner's manual for complete installation instructions and proper clearances to combustible surfaces prior to installing stove.

Warranty: The manufacturer warrants this fireplace to be free from defects in materials and workmanship at the time of manufacture. There is a limited 10 year warranty on the firebox; 5 year limited warranty on the burner and 1 year limited warranty on the pilot burner assembly and fan motors (if included). The valve carries a limited 1 year warranty unless otherwise specified in the installation manual. Glass, plated/painted finishes and refractory lining are exempt.

All specifications, product designs, materials and colours are subject to change without notice. The actual flame pattern and colour may vary slightly from the illustrations. Diagrams and illustrations not to scale.

CHP/MDR

Langley, BC • Ferndale, WA
 Phone: (800) 378-3115 Fax: (866) 300-0927
 Email: fireplaces@montigo.com

Part No XB0505
 Printed in Canada 04/2003

Available at:

Consult your distributor for local fireplace code information