

MAJESTIC VERMONT *Castings*

DIRECT VENT GAS FIREPLACES

MODEL DVRT39



MODEL DVRT39



Warmth & Elegance

MODEL DVRT36



Shown with Cast Iron Regular Glass Bay window, antique brass trim and ceramic refractory.

MODEL DVRT39



Shown with medium pewter trim and ceramic refractory.

MODEL DVR33



Shown with medium polished brass trim ceramic refractory, and bay window and Majestic cabinet in honey oak.



Imagine instant warmth and atmosphere at the touch of a switch with a Vermont Castings, Majestic Products Direct Vent Gas Fireplace, complete with our exclusive Insta-Flame burner technology.

Direct Vent Gas Fireplaces can be vented horizontally through an outside wall or vertically through the roof. It's an economical installation, too, without the added expense of a chimney!

Vermont Castings, Majestic Products detailed craftsmanship, a tasteful choice of trims and mantels, and a natural, dancing flame pattern all make for a stylish addition to any home.

Just sit back, relax, and enjoy the warmth

and elegance of your Vermont Castings, Majestic Products Fireplace.

All Vermont Castings, Majestic Products Direct Vent Fireplaces shown here include the following standard features:

Standard Features

- Patented Insta-Flame™ Ceramic Burner System for durability and unsurpassed realism
- Certified as vented gas fireplace heaters
- Shallow depth allows for unobtrusive, go-anywhere installation – reversible rear top venting on 36", 39", and 43" models
- Ceramic glass panel
- Attractive, realistic ceramic fiber log sets

- Design certified by the American Gas Association and Canadian Gas Association
- Limited lifetime warranty assures quality and dependability



- * Cover shot DVRT39 shown with cast iron front in moonlight blue.
- * Cover inset shot DVRT39 shown with medium polished brass trim and bay window.

Model DVR33

The DVR33 offers efficient and convenient gas heating & easy installation, due to its economical direct-venting. And due to its Insta-Flame Ceramic Burner, it provides unparalleled wood-like realism. Now available with optional bay window.

Model DVRT36

The DVRT36 model allows you to install a fireplace with either a top or rear vent wherever you want. This model gives you a generous viewing area to feature the patented Insta-Flame Ceramic Burner. The unique burner offers you a flame pattern that is the envy of the industry, along with durability that will never let you down. The DVRT36 now features the Vermont Castings Comfort Control System.

Model DVRT39

With the DVRT39 model, you not only gain a full viewing area, you can also choose the optional Bay Window Kit for a great view from any angle. Or, you may add the formal elegance of a Brilliance Beveled Glass Bay Window to further enhance the beauty of the dancing flames.

Model DVRT43

Looking for the ultimate Direct Vent Gas Fireplace display? Look no further than the DVRT43 model. It features a full viewing area, behind ceramic glass. You'll enjoy the efficiency of this outstanding fireplace down through the years, as Vermont Castings, Majestic Products quality is built into every detail. The DVRT43 also has optional heat ducts to provide heat to other rooms. Ceramic refractory panels are standard on this model.

Optional Trim/Glass kits

- Trim kits (in narrow, medium and wide) in Antique or Polished Brass finish (36, 39, 43)
- Medium Antique brass trim for DVR33
- Medium trim kit available in pewter finish
- Bay Window kit with Antique or Polished Brass or Pewter trim (for DVR33, DVRT36 and DVRT39)
- Brilliance® Beveled Glass Bay Window kit with Antique or Polished Brass or Pewter finish trim (for DV36 and DV39 only)
- Arch door kit in Antique or Polished Brass finish (for DV36 only)
- Window screen trim kit (for flat and Bay window models DV33 and DV36 only)
- Cast iron Bay Window front and mantel surround in Classic Black or Midnight Black, and Moonlight Blue porcelain enamel for (DV36 and DV39) as shown on cover
- Gold or black arch screen door kit (for DV36 only)
- Gold or black Louvre kit (for DV36 only)

Optional Accessories

- Full mantels and mantel shelves in ready-to-paint poplar or ready-to-stain oak
- Wooden Cabinets for wall or corner installations
- Hand-held remote control or wall thermostat
- Variable speed, heat-activated fan (FK-24) for added heat circulation
- Attractive ceramic fiber brick firebox liner
- 7PDVS Power Vent System

VERMONT CASTINGS COMFORT CONTROL SYSTEM

Model DVRT36 is available with this all-in-one valve system featuring:

- Six level modulating flame and fan function from a hand held remote.
- Thermostat governs flame and fan together for maximum comfort.
- Operates without electricity. (except for power supply to fan)
- Comfort Control System features an all-in-one valve construction, no additional fan system or remote required.
- Timer will shut off fire at a later time.
- Found on Majestic / Vermont Castings gas fireplace model DVRT36



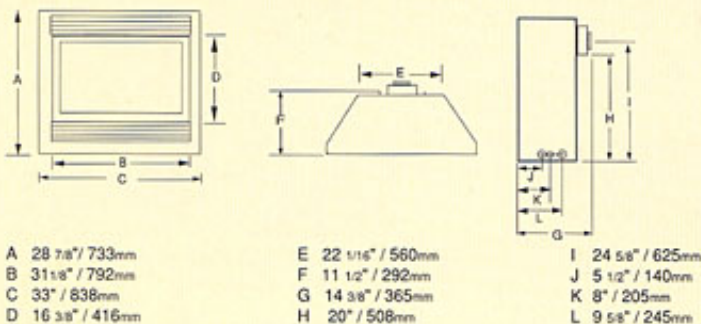
Shown with Medium antique brass trim, ceramic refractory and Majestic cabinet painted white.



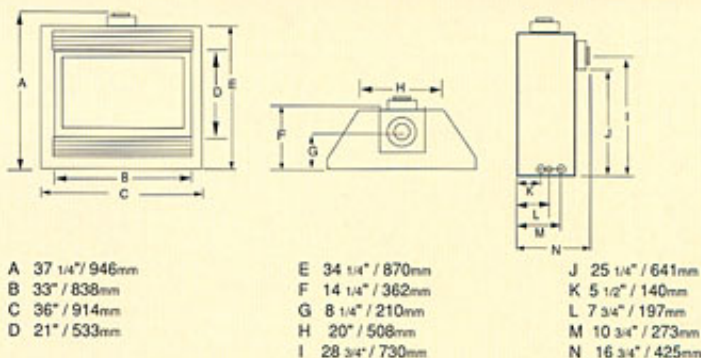
Shown with medium pewter trim and Majestic Covington Mantel

DIRECT VENT GAS FIREPLACES

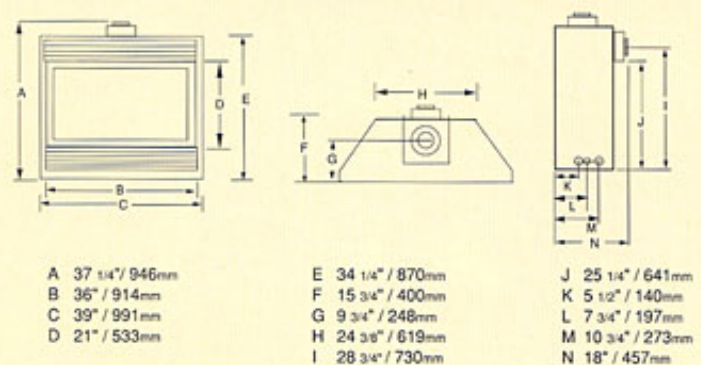
MODEL DVR33



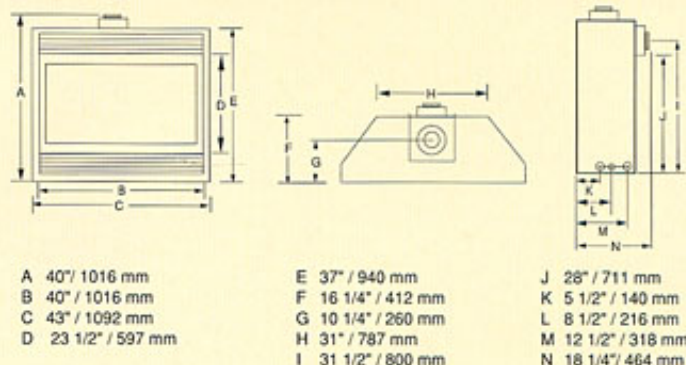
MODEL DVRT36



MODEL DVRT39

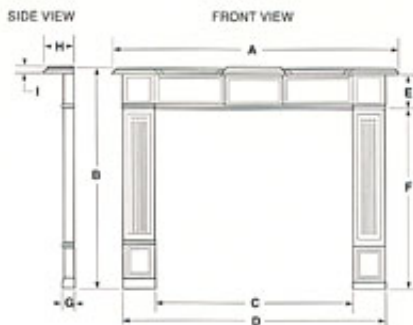
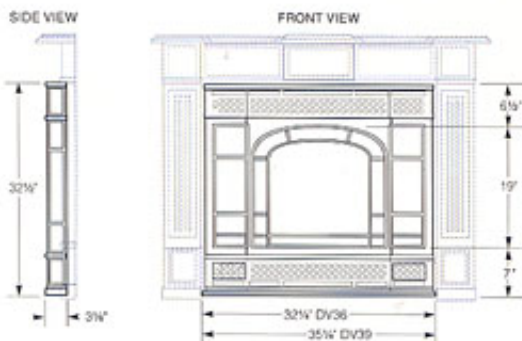


MODEL DVRT43



Cast Iron Face Surround and Mantel Dimensions for 36" and 39" Majestic Fireplaces

	A	B	C	D	E	F	G	H	I
DV36	48"	40 1/4"	32 3/4"	45"	6"	33 1/4"	2"	4 3/8"	1 1/8"
DV39	51"	40 1/4"	35 3/4"	48"	6"	33 1/4"	2"	4 3/8"	1 1/8"



Vermont Castings, Majestic Products

410 Admiral Blvd.
 Mississauga, Ont. L5T 2N6
 Tel: (905) 670-7777
 Fax: (905) 565-4690

www.majesticproducts.com
www.vermontcastings.com

For the location of the nearest dealer call 1-800-227-8683

In the interest of constant product improvements, we reserve the right to change specifications without notice. Before installations, please read Installation Instructions and check all local Building Codes and Gas Regulations. CDN Patents: 1 284 765, 1 284 766, 1 284 767, 1 295 899. U.S. Patents: 4 838 240, 4 838 241, 4 909 227.

YOUR VERMONT CASTINGS, MAJESTIC PRODUCTS DEALER

United Energy Heating & Cooling
www.unitedenergy.ca
416-503-3159