

Warmth & Elegance

ELECTRIC FIREPLACES



## Plug into the Warmth

An industry first. Fabulous flames and endless design applications. Our two-sided electric fireplace model DEF36S2 makes an impression in two rooms at once. Choose to operate with or without heat. Accommodates all Majestic 36" trim options.

**MAJESTIC**  
**VERMONT**  
*Castings*

## ELECTRIC FIREPLACES

DEF36



Popular size and striking good looks with or without heat. Our electric DEF36 can be outfitted with a multitude of trim - brass, pewter or cast iron - plus a wall or corner cabinet.



HE32EFI

Electric Fireplaces are the fastest growing category in Fireplaces and Majestic is leading the way, with more models and more realistic flames - "the flame ya gotta see to believe."

Electric Fireplace (HE32EFI) - Fits into most prefabricated or masonry fireplaces. Many finishing options available.



If it's the look (and no heat) you're after with a conventional mantel style, our DEF36 can be framed around the glass with marble, tile, etc.



An industry first. Fabulous flames and endless design applications. Our two-sided electric fireplace model makes an impression in two rooms at once. Choose to operate with or without heat. Accommodates all Majestic 36" trim options.



Beautiful wood-like flame and hassle-free installation are the hallmarks of our Electric Fireplaces.

## ELECTRIC FIREPLACES

### BENEFITS

- Easy to install, plugs into any standard 120 volt outlet
- Ideal for new homes, high rise buildings, condominiums, apartments, cottages, trailers
- Can be relocated at any time, from room to room
- You can choose to operate Vermont Castings, Majestic Products electric fireplaces with or without heat
- Distributes a subtle warm even heat by means of an optional quiet fan system
- Easy to operate on/off controls
- Easy maintenance
- Space saving depth (11 1/2" for the DEF33; 14 1/4" for DEF 36), means you can "plug it in almost anywhere"
- DEF33/36 fits any Vermont Castings, Majestic Products 33"/36" cabinets
- HE32EFI Compact Fireplace fits into most prefabricated masonry fireplaces.
- Trim options for the HE32EFI include; small, large or extra large black with antique or polished brass edge or full brass, bay windows. (same as RHE32 trim)
- DEF36 can be framed around the glass for a more traditional fireplace appearance

### HEATING CAPABILITIES

- The Vermont Castings, Majestic Products electric fireplaces are designed to provide a comfortable level of heat. For example, it can keep a 14' x 18' room at a comfortable 68°F / 20°C temperature.

### STANDARD FEATURES

- Upper and lower polished brass window trim on DEF33 (DV33GTP)
- 1,450 watts of power
- 4,500 BTU's
- Vermont Castings, Majestic Products patented technology: randomized filtered lighting simulates flame pattern and glowing logs
- Actual deep, glowing ember bed without the use of mirrors
- Adjustable flame height and lighting control to suit any type of environment
- Safety glass panel

**MAJESTIC**  
VERMONT  
*Castings*

# ELECTRIC FIREPLACES

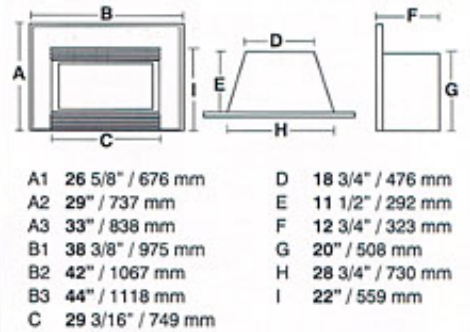
## HEATING CAPACITY

|   |                           |       |       |       |
|---|---------------------------|-------|-------|-------|
| BTU of heater                                 | 4,500                     | 4,500 | 4,500 | 4,500 |
| Wattage with heat (fan on)                    | 1,400                     | 1,400 | 1,585 | 1,400 |
| Wattage without heat (fan off)                | 185                       | 185   | 370   | 185   |
| Average Electrical Consumption (hourly cost)* | 7 cents US / 10 cents CDN |       |       |       |

## STANDARD FEATURES

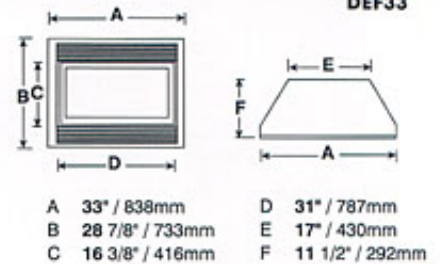
|  | DEF33<br>33"<br>Fireplace | DEF36<br>36"<br>Fireplace                            | DEF36S2<br>Two sided<br>Fireplace                    | HE32EFI<br>Small<br>Fireplace               |
|--|---------------------------|--|--|---|
| Easy to install, plugs into any standard 120 volt outlet   | x                         | x  | x  | x   |
| Ideal for new homes, high rise buildings, condominiums, apartments, cottages, trailers   | x                         | x  | x  | x   |
| Can be relocated at any time, from room to room  | x                         | x  | n/a  | n/a   |
| Operate with or without heat   | x                         | x  | x  | x   |
| Easy to operate on/off controls  | x                         | x  | x  | x   |
| Easy maintenance   | x                         | x  | x  | x   |
| Space saving depth - plug it in anywhere   | x                         | x  | x  | x   |
| Fits any 33" or 36" Majestic, Vermont Castings cabinet   | x                         | x  | n/a  | n/a   |
| Upper and lower polished brass trim  | x                         |  |  |   |
| 1,450 watts of power   | x                         | x  | x  | x   |
| 4,500 btu's  | x                         | x  | x  | x   |
| Distributes a subtle warm, even heat with a quiet fan system   | optional                  | optional   | optional   | optional                                    |
| Vermont Castings, Majestic Products patented technology: randomized filtered lighting simulates flame pattern and glowing logs | x                         | x  | x  | x   |
| Actual, deep glowing ember bed without the use of mirrors  | x                         | x  | 2 sets of logs                                       | x   |
| Adjustable flame height and lighting control   | x                         | x  | x  | x   |
| Safety glass panel   | 1 side                    | 1 side   | 2 sides  | 1 side                                      |
| <b>TRIM OPTIONS</b>  |                           |  |  |   |
| Regular, medium and wide polished brass trim   | x                         | x  | x  | n/a   |
| Regular, medium and wide antique brass trim  |                           | x  | x  |   |
| Medium antique brass and pewter trim   | x                         | x  | x  | n/a   |
| Bay window kit with polished brass, antique brass or pewter accents  | x                         | x  | x  | x   |
| Cast Bay Window kit in classic black with brass accents  | n/a                       | x  | x  | x   |
| Cast Bay Window kit, trim & mantel. (Mantel only on DEF36 & DEF36S2)   | n/a                       | classic black<br>midnight black<br>or moonlight blue | classic black<br>midnight black<br>or moonlight blue | classic black<br>midnight black<br>or green |
| Beveled large & extra-large black steel trim with polished brass, antique brass or pewter edge                                 | n/a                       | n/a  | n/a  | x   |
| Polished or antique brass arch door kit  | n/a                       | x  | x  | x   |
| Gold or black arch screen door kit   |                           | x  | x  |   |
| Gold or black louvre kit   |                           | x  | x  |   |

## HE32EFI

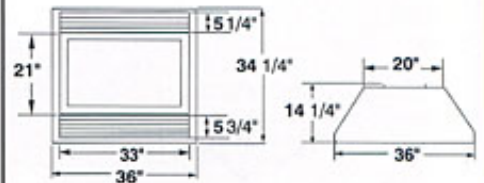


LEGEND (1) SS or SSD TRIM (2) SL or SLD TRIM (3) SXL TRIM

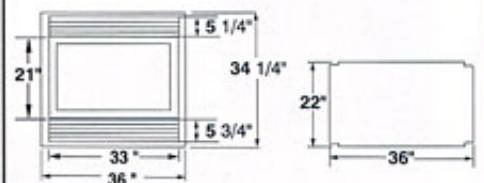
## DEF33



## DEF36



## DEF36S2



\*Check with your local electricity utility for actual rates

In the interest of constant product improvements, we reserve the right to change specifications without notice. Before installations, please read Installation Instructions and check all local Building Codes. CDN Patents: 1 284 765, 1 284 766, 1 284 767, 1 295 899. U.S. Patents: 4 838 240, 4 838 241, 4 909 227. \*Patent pending.

## Vermont Castings, Majestic Products

410 Admiral Blvd.  
Mississauga, Ont. L5T 2N6  
Tel: (905) 670-7777 [www.majesticproducts.com](http://www.majesticproducts.com)  
Fax: (905) 565-4690 [www.vermontcastings.com](http://www.vermontcastings.com)

For the location of the nearest dealer call 1-800-227-8683

YOUR VERMONT CASTINGS, MAJESTIC PRODUCTS DEALER

**United Energy Heating & Cooling**  
[www.unitedenergy.ca](http://www.unitedenergy.ca)  
**416-503-3159**