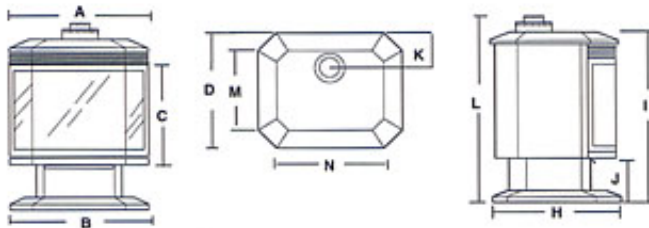


DIRECT / NATURAL VENT GAS STOVES

RFSDV42

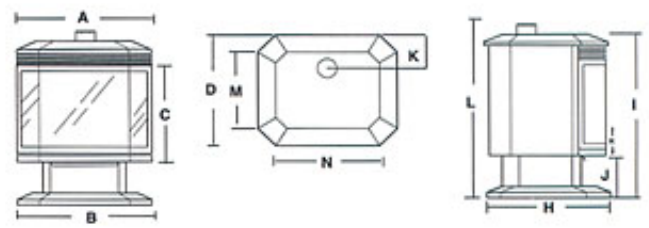


A 28 1/4" / 717 mm
B 28 1/4" / 717 mm
C 17 7/8" / 454 mm

D 22 3/4" / 578 mm
H 22 3/4" / 578 mm
I 33 5/8" / 854 mm
J 10 5/8" / 270 mm

K 5 1/4" / 133 mm
L 36 3/8" / 924 mm
M 14 3/16" / 360 mm
N 17 3/8" / 441 mm

RFS42



A 28 1/4" / 717 mm
B 28 1/4" / 717 mm
C 17 7/8" / 454 mm

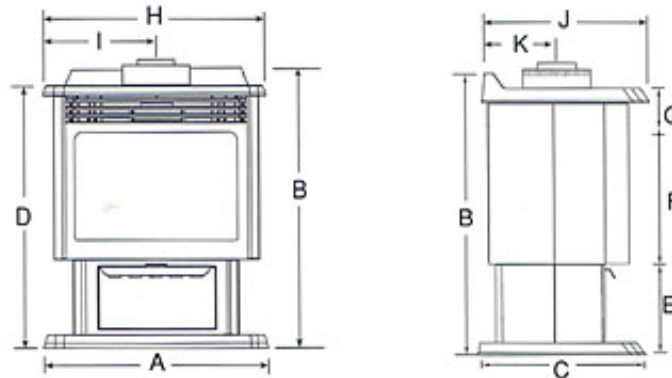
D 22 3/4" / 578 mm
H 22 3/4" / 578 mm
I 33 5/8" / 854 mm
J 10 5/8" / 270 mm

K 5 1/4" / 133 mm
L 36 3/8" / 924 mm
M 14 3/16" / 360 mm
N 17 3/8" / 441 mm

RFSDV42/RFS42 Specifications DV/NV

BTU Input High: 36,000 LP / 40,000 NG Efficiency Rating: 73% LP & 72% NG Clearances: Back: 4"
BTU Input Low: 27,000 LP / 28,000 NG Weight: 202 lbs. Sides: 4"

RFSDV24



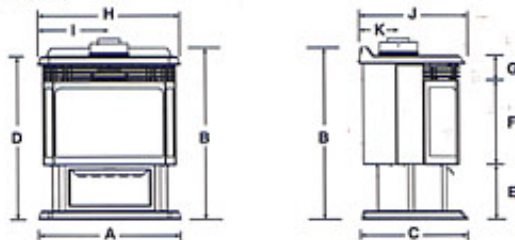
A 23" / 584 mm D 27 3/8" / 695 mm
B 28 3/4" / 730 mm E 9 1/2" / 241 mm
C 16 5/8" / 422 mm F 13 7/8" / 352 mm

G 4" / 102 mm J 16 5/8" / 422 mm
H 23" / 584 mm K 6" / 152 mm
I 11 1/2" / 292 mm

RFSDV24 Specifications

BTU Input High: 20,000 LP & NG Efficiency Rating: 74% LP & 73% NG Clearances: Back: 4"
Weight: TBA Sides: 6"

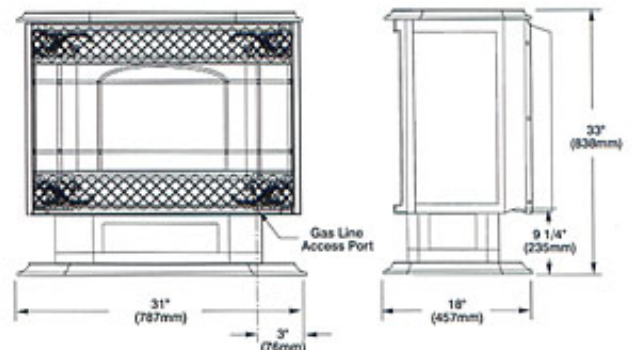
RFSDV34



A 26 1/4" / 667 mm
B 31 1/2" / 800 mm
C 19 3/8" / 492 mm
D 30" / 762 mm
E 10" / 254 mm
F 15 1/2" / 394 mm

G 4 1/2" / 114 mm
H 26 1/4" / 667 mm
I 13 1/8" / 334 mm
J 19 1/2" / 495 mm
K 6 3/8" / 162 mm

STOVE KIT FSNVCSK



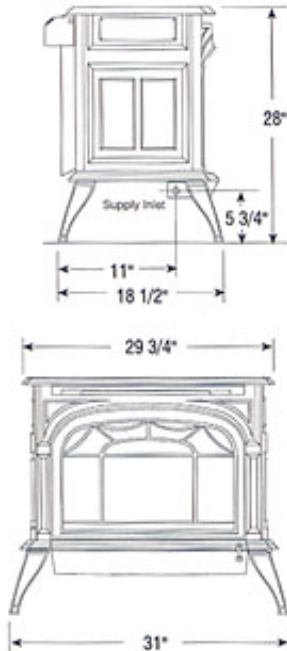
RFSDV34 Specifications

BTU Input High: 30,000 LP & NG Clearances:
BTU Input Low: 22,500 LP / 21,000 NG Back: 0"
Efficiency Rating: 74% LP & 73% NG Sides: 12"
Weight: 155 lbs.



DIRECT / NATURAL VENT GAS STOVES

Radiance RDV40 / RNV40 Gas Stoves



Specifications:

BTU Input High: 38,000 LP/40,000 NG
 BTU Input Low: 26,600 LP/28,000 NG
 Efficiency Rating: 81.5% LP/ 82.7% NG
 Weight: 350lbs / Shp. 375 lbs.

Dimensions:

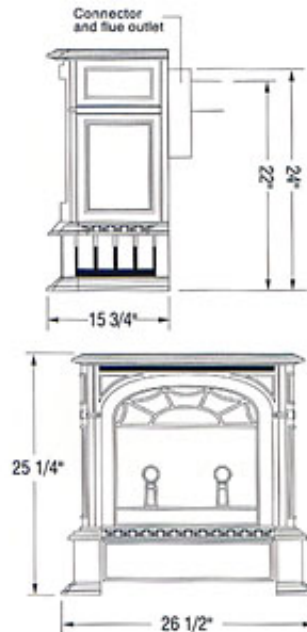
Height: 28"
 Width: 31"
 Depth: 18 1/2"

Clearances:

Back: 4"
 Sides: 6"

Classic Black and Porcelain enamel color choices: Red, Green, Sand and Moonlight Blue

Pinnacle PDV20 Gas Stove



Specifications:

BTU Input High: 20,000 LP & NG
 BTU Input Low: 14,000
 Efficiency Rating: 78% LP & 80% NG
 Weight: 200 lbs.

Dimensions:

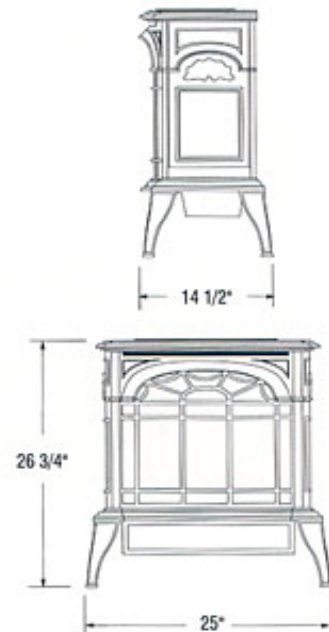
Height: 25 1/4"
 Width: 26 1/2"
 Depth: 15 3/4"

Clearances:

Back: 2 1/2"
 Sides: 2"

Classic Black and Porcelain enamel color choices: Sand and Midnight Black

SDV30 / SNV30 Stardance Gas Stoves



Specifications:

BTU Input High: 30,000 LP & NG
 BTU Input Low: 21,000
 Efficiency Rating: 81% LP & NG
 Weight: 200 lbs.

Dimensions:

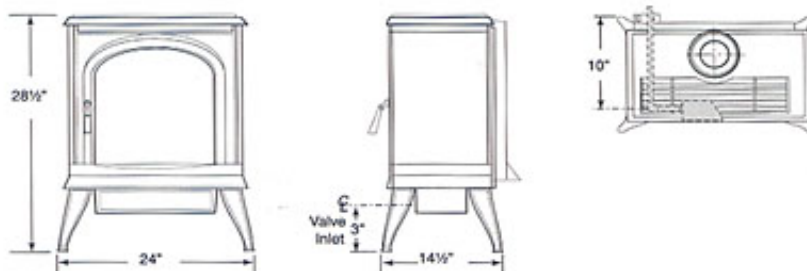
Height: 26 3/4"
 Width: 25"
 Depth: 14 1/2"

Clearances:

Back: 4"
 Sides: 6"

Classic Black and Porcelain enamel color choices: Red, Green, Sand, Moonlight Blue and Midnight Black

JEFFERSON JDV



Specifications:

BTU Input High: 28,000 LP & NG
 BTU Input Low: 28,000 LP & NG
 Efficiency Rating: 81% LP & NG
 Weight: 202 lbs.

Clearances:

Back: 4"
 Sides: 4"

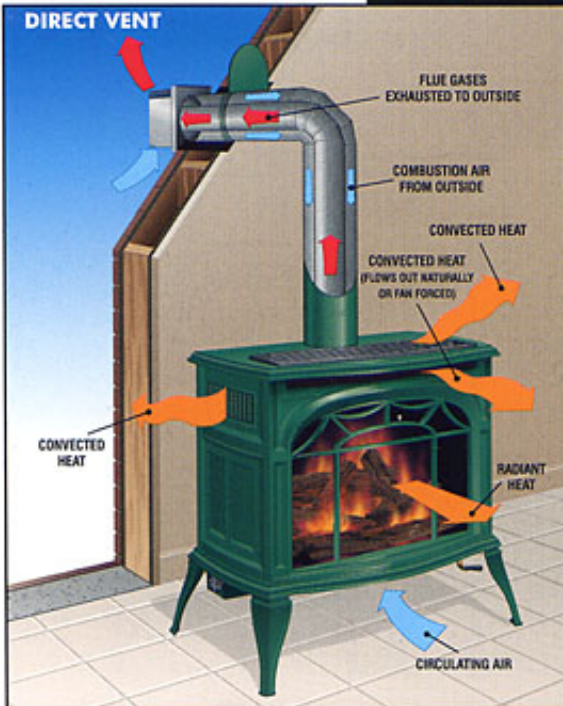


OUR CERAMIC LOGS

Every Vermont Castings freestanding stove features our authentic "split oak" ceramic fiber logs that mirror nature's own, perfectly. When they're ablaze with the Insta-Flame Ceramic Burner, they give off an intense and realistic glow. Long-lasting and maintenance free, you can be confident that they will never fade, peel or crack.

*Efficiency Rates based on steadystate testing, with fan on. Fans are optional on certain stoves.

DIRECT / NATURAL VENT GAS STOVES



LEGEND → COLD AIR FOR COMBUSTION → EXHAUST → RADIANT HEAT → CONVECTED HEAT

- Uses a coaxial pipe system (small pipe within a large pipe) and draws combustion air from the outside through the outer pipe. Exhaust is vented out through the inner pipe.
- Can vent horizontal through an outside wall, or vertically through the roof – no chimney required!
- Convenient to install and more economical.
- Suitable for homes with no existing chimney.
- Can be installed directly over combustible flooring (except for carpeting or linoleum).



- Uses B-vent pipe, existing masonry or factory built metal chimney as a housing for flexible liner.
- Uses room air for combustion and venting terminates above the roofline (like a furnace).
- Relatively easy to install.
- Ideal for replacing an old wood stove, positioning a stove in front of a fireplace, or locating a stove anywhere in the home where a B-vent can be installed.
- Can be installed directly over combustible flooring (except for carpeting or linoleum).
- A direct vent can be used in a natural vent application by installing a Vermont Castings B-vent flue adaptor.

DIRECT/NATURAL VENT GAS STOVES STANDARD AND OPTIONAL OPERATING FEATURES



Vermont Castings Gas Stoves come with remote (millivolt) or built-in thermostatic gas control system or comfort control system to ensure that your fireplace works to provide heat at all times, even during a power failure.



The **Heat Exchange System** maximizes the heating efficiency of a Vermont Castings gas stove.



An optional heat-activated, variable speed **Fan System** helps distribute heat quickly and efficiently throughout the room.

*STANDARD ON MODELS RFS042 & RFS42



WALL-MOUNTED THERMOSTAT OPTIONAL



REMOTE CONTROL OPTIONAL

Remote (RN/RP) models operate with the touch of an ON/OFF switch and can be used with an **optional wall mounted thermostat or hand held remote control**.

Models with the Vermont Castings Comfort Control System (RFN, RFP) feature all-in-one valve construction, no additional fan or remote system required.



BUILT-IN THERMOSTAT CONTROL

Thermostatic (TN/TP) models have a built-in thermostat control that will automatically cycle ON/OFF to maintain optimum room temperature. This TN/TP control automatically adjusts flame height and heat output. (TN only)



In the interest of constant product improvements, we reserve the right to change specifications without notice. Before installations, please read Installation Instructions and check all local Building Codes and Gas Regulations. CDN Patents: 1 284 765, 1 284 766, 1 284 767, 1 295 899. U.S. Patents: 4 838 240, 4 838 241, 4 909 227. *Patent pending.

Vermont Castings, Majestic Products

410 Admiral Blvd.
Mississauga, Ont. L5T 2N6
Tel: (905) 670-7777 www.majesticproducts.com
Fax: (905) 565-4690 www.vermontcastings.com

For the location of the nearest dealer call 1-800-227-8683

YOUR VERMONT CASTINGS DEALER

United Energy Heating & Cooling
www.unitedenergy.ca
416-503-3159