

MORSØ 3610

Developed specifically for the North American market, the new 3610 is the largest of the Morsø line of stoves. It's double doors with the extra large glass panels give you an exceptionally good view of the fire. The primary combustion air washes across the glass creating a barrier to carbon buildup. What this means to you is that the glass remains extraordinarily clean throughout all phases of the burn cycle.

The 3610 can be loaded through the front doors or through the easy access side door. It can take up to 24" logs and heats up to 2400 sq. feet. The stove has two ash pans, allowing for easy ash removal. Installation options for the 3610 include an outside air kit enhancement options such as warming shelves.

The appeal of cast iron lies not only in its ability to absorb heat from the fire and releasing it slowly into your home long after the fire is out, but also in the aesthetically pleasing forms with which it can be shaped. Morsø craftsmen produce the finest cast iron wood stoves in the world. The name Morsø has been synonymous with quality since April 1853. In 1915 Morsø received the honor of being appointed to the Royal Danish Court. This prestigious appointment means that the products produced are held to the highest standards of quality and that the companies themselves have demonstrated exceptional business practices and ethics.



Morsø 3610

morsø®

integrated design since 1853





Morsø 3610

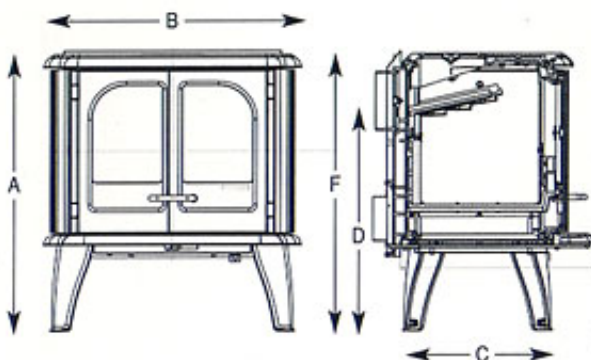
3610 SPECIFICATIONS

Height	31.4" (A)
Width	29.5" (B)
Depth (leg to leg)	25.4" (C)
Flue Collar Height (Rear exit)	26" (D)
Flue Collar Height (Top exit)	32.4" (F)
Flue Collar Size	6"
Btu's Max.	60,000
Burn Time	10 Hours
Avg. Area Heated	1000-2400 sq. ft.
Log Length	24"
EPA Grams per Hr.	5.3

3610 CLEARANCES

Unprotected Surfaces*	Rear	Side	Corner
Single Wall Connector:	17"	18"	13"
Shielded Single			
Wall Connector:	15"	18"	13"
Protected Surfaces*	Rear	Side	Corner
Single Wall Connector:	15"	14"	10"
Shielded Single			
Wall Connector:	12"	12"	10"

*The 3610 has also been listed for installation into alcoves. Consult the Owner's Guide for detailed specifications.



Please consult your local stove dealer for details on the full line of Morsø products and accessories

**United Energy
Heating & Cooling**
www.unitedenergy.ca
416-503-3159

MORSØ 3610

- FEATURES AND BENEFITS

- Able to handle a large size fuel capacity
- up to 24" logs
- 10 hour burn time
- 148 years of cast iron experience means top quality castings that sets the industry standard
- Non catalytic clean burn technology which has passed strict EPA emissions test for more complete combustion and high heat output
- Both rear and bottom heat shields for reduced clearances and better heat convection are standard
- Excellent clearances
- Reversible flue collar for either top or rear venting give added installation flexibility
- Superior air wash system keeps the glass clean for unparalleled fire viewing
- Single air control for ease of operation
- Beautiful, high quality detachable stainless steel handle
- Rugged ash pan made of heavy gauge steel
- Gasketed cast iron stove plates provide tight seals that require less maintenance through years of operation
- Chromium treated internal castings gives added strength and durability
- 10 years limited warranty

Options:

- Outside air kit
- Warming shelf (Available 2002)

morsø®

integrated design since 1853

Morsø reserves the right to change specifications without notice

