

The Legend — Ultra

G A S F I R E P L A C E I N S E R T

WITH THE LEGEND ULTRA, VALOR ANSWERS THAT AGE-OLD QUESTION - WHAT TO DO WITH YOUR EXISTING INEFFICIENT WOOD OR GAS FIREPLACE. OFFERED WITH TWO BEAUTIFUL FRONTS, AND A COMPLEMENT OF TRIMS, YOUR FAVORITE ROOM WILL BE FILLED WITH WARMTH FROM A FIREPLACE WHICH LOOKS AS GOOD AS IT FEELS. THE NEW VALORSTAT PLUS WILL PUT YOU IN THE COMFORT ZONE. VALOR, THE WORLD'S MOST EXPERIENCED MAKER OF EFFICIENT GAS FIREPLACES, WILL KEEP YOU THERE.

Valor
Warming Homes
Since 1890

VALOR LEGEND ULTRA



CAST ULTRA, TASTEFULLY SCULPTED IN CLASSIC CAST IRON WITH THE 778 CONTOURED BLACK OUTER TRIM.

More beautiful
trim combinations
to choose from.



THE CAST MODEL
FRAMED WITH
THE 781
FOUR SIDED TRIM
GIVES A BALANCED
LOOK WHEN YOU
NEED TO FILL A
TALLER FIREPLACE
OPENING.



**CONTEMPORARY
ULTRA**
WITH THE
783 ETCHED
CHAMPAGNE TRIM



**CONTEMPORARY
ULTRA**
WITH THE 778
BLACK CONTOURED
TRIM



CAST ULTRA
WITH THE 778
BLACK CONTOURED
TRIM AND THE 785
BRASS ACCENT



The Inner Beauty

ULTRA FEATURES

✓ Appearance

- Contoured styling made of highest quality extruded, tool formed and cast components.
- Choice of two beautifully styled front designs and numerous trim combinations.

✓ Control

- Exclusive ValorStat Plus top "touch" control allows easy operation and automatic modulation of the fire.
- Unique burner selector means you can easily switch between 1 and 2 burner operation.
- Optional hand held remote gives you complete control from anywhere in the room including on/off from pilot, flame size and thermostat setting.

✓ Performance

- The Ultra delivers a comfortable blend of radiant and convected heat with a high fire powerful enough to handle the toughest heating challenges and a turndown range low enough to let you operate it on warmer days.
- Triple heat exchanger design is totally enclosed within a heat containment casing to ensure the highest efficiency and minimize waste heat off the back.

✓ Safety

- Automatic shutoff in the unlikely event of flame failure or a blocked vent.
- Safety Certified to US and Canadian standards for heating appliances.

✓ Quality

- Quality and excellence is at the heart of every Valor fire. The Legend Ultra is manufactured under ISO 9001 quality systems and is backed by our ValorCare Warranty.

SPECIFICATIONS

Model #	Fuel	Max. Input Btu/Hr.	Min. Input Btu/Hr.	Max. Output Btu/Hr. Fan Off	Max. Output Btu/Hr. (optional) Fan On
737 XN	Nat. Gas	28,900	9,860	20,519	21,390
737 XP*	LPG	28,400	17,000	20,166	21,443

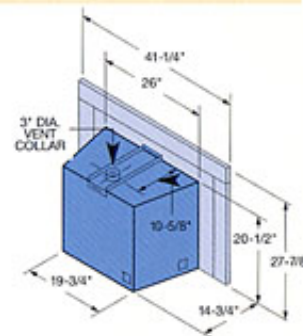
Certified to ANSI / Z21.88a CAN CSA 2.33a Vented GasFireplace Heater.

APPLICATIONS



Insert Existing Fireplace.

Standard model fits all masonry or factory built metal fireplaces allowing insert box dimensions as shown. Front dimensions refer to #777 FSK.



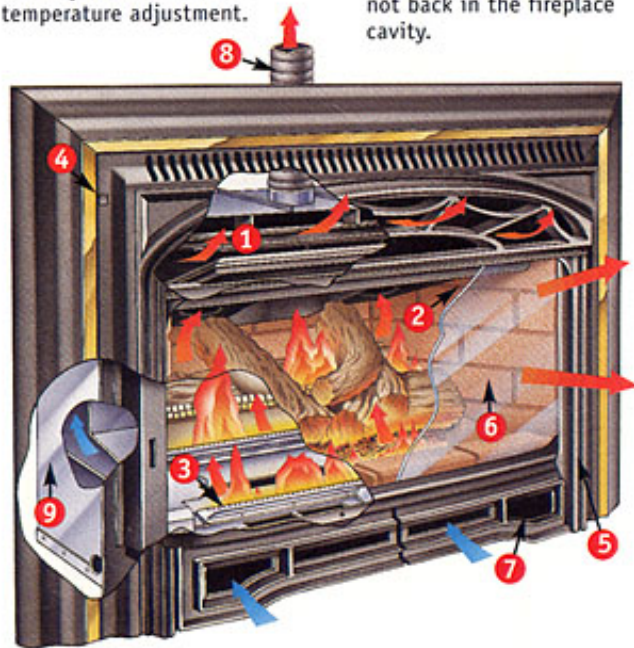
Zero Clearance. Use optional #770ZCK Zero Clearance Kit. Use inexpensive Type B Vent. Hearth and wall may be finished with a variety of materials. Fits framed enclosures as small as 34" W x 17" D x 40" H.



OPTIONS

- #777 FSK 4" Black Beveled Trim Plate 41-1/4" W x 27-7/8" H
- #778 FSK 2-1/2" Contoured Black Trim Plate 38-3/8" W x 26-1/4" H
- #783 FSK 2-1/2" Contoured Etched Champagne Brass Trim 38-3/8" W x 26-1/4" H
- #796 CFK Circulating Fan Kit with 2 speed control and automatic temperature actuation switch.
- #770 ZCK Zero Clearance Kit allows installation into wall recess using type B-Vent
- #771 CRB Reduces clearance to overhanging mantles or shelves
- #780 OCP Oversize closure plate covers openings to 30"H x 46"W. Use with 777, 778 or 783 trims.
- #726 HACK (High Altitude Conversion Kit). Required for 737 XP* installations over 2000' altitude.
- #781 FSK 2-1/2" Contoured black four-sided picture framed trim 38-3/8" W x 29-1/4" H
- #785 BAT Brass accent trim
- #553 RCK Hand held remote control kit. Provides on/off to pilot function and full thermostat adjustment.

- Secondary and Tertiary Heat Exchangers, made of corrosion-resistant aluminized steel, scavenge most of the useful heat before exhaust products enter the vent.
- The aluminized and stainless steel firebox is lined with a 7 piece ceramic brick set as standard equipment.
- The twin stainless steel Valorflame burners and advanced ceramic log set combine to produce the Ultra flame effect, with a deep glow ember bed, relaxing flame effect and super clean combustion.
- The ValorStat Plus rocker switch, conveniently located for easy flame and room temperature adjustment.
- The ValorStat modulating control and room temperature sensor. (not shown)
- Large ceramic glass window helps maximize radiant output and minimize heat loss.
- Burner selector control, (hidden behind a swing out door on the Cast model) allows single or double burner operation.
- Only a small 3" diameter vent is required due to the Ultra's high efficiency.
- The firebox and heat exchangers are completely surrounded by an exterior casing to maximize warm air convection and ensure the heat ends up in your room - not back in the fireplace cavity.



Valor

Warming Homes Since 1890

VISIT OUR WEB SITE AT: WWW.VALORFLAME.COM

AUTHORIZED DEALER:

United Energy Heating & Cooling

www.unitedenergy.ca

416-503-3159

Miles Industries Ltd.



Copyright Miles Industries Ltd. 1999 Patents Pending
Valor is a registered ISO9001, EN2901, BS5750 Part 1
Printed in Canada 09/99